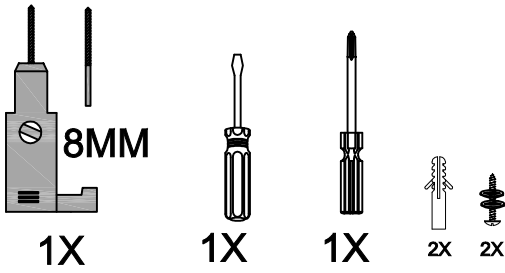
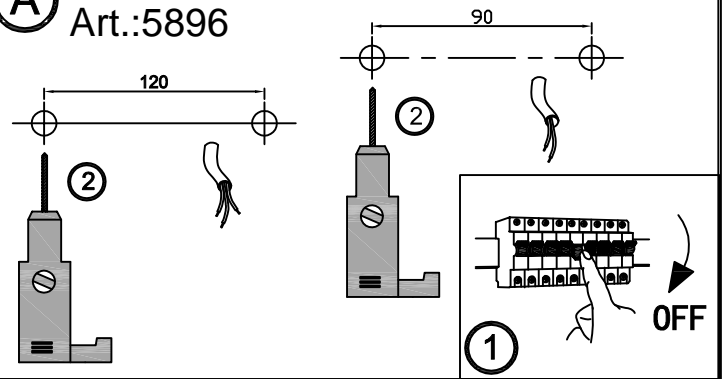


Art.:5896
Art.:2168

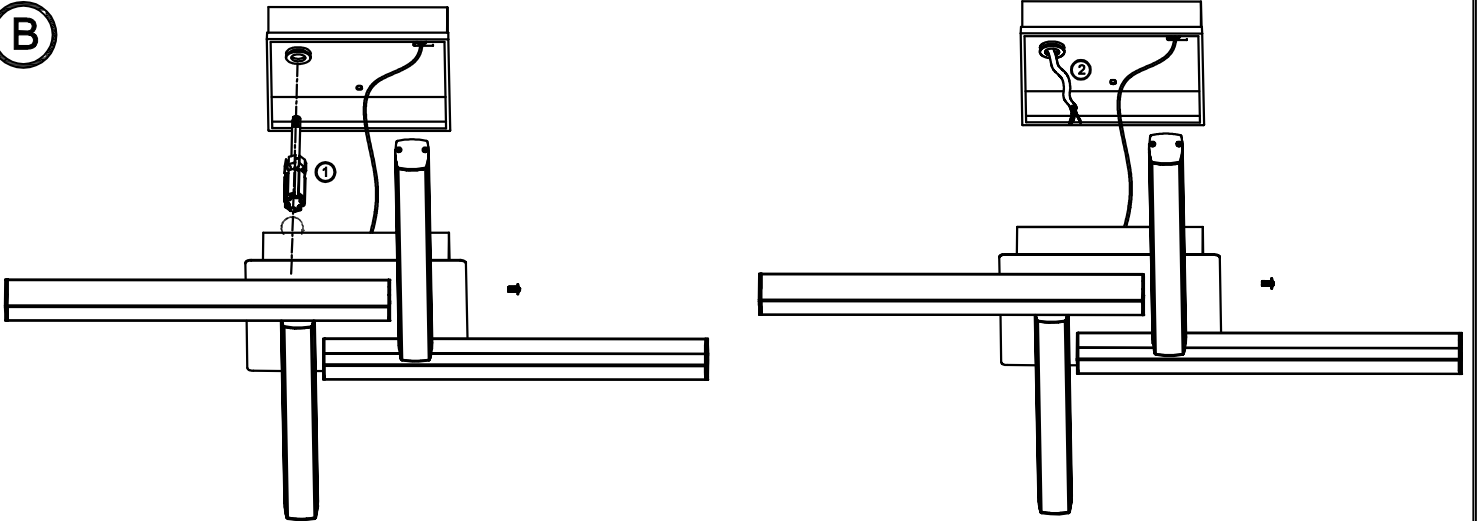


(A) Art.:5896

Art.:2168



(B)



(C)

